



RE·BAR·TIER™

RB401T-E

Stand-Up Re-Bar Tier



OPERATING & MAINTENANCE MANUAL



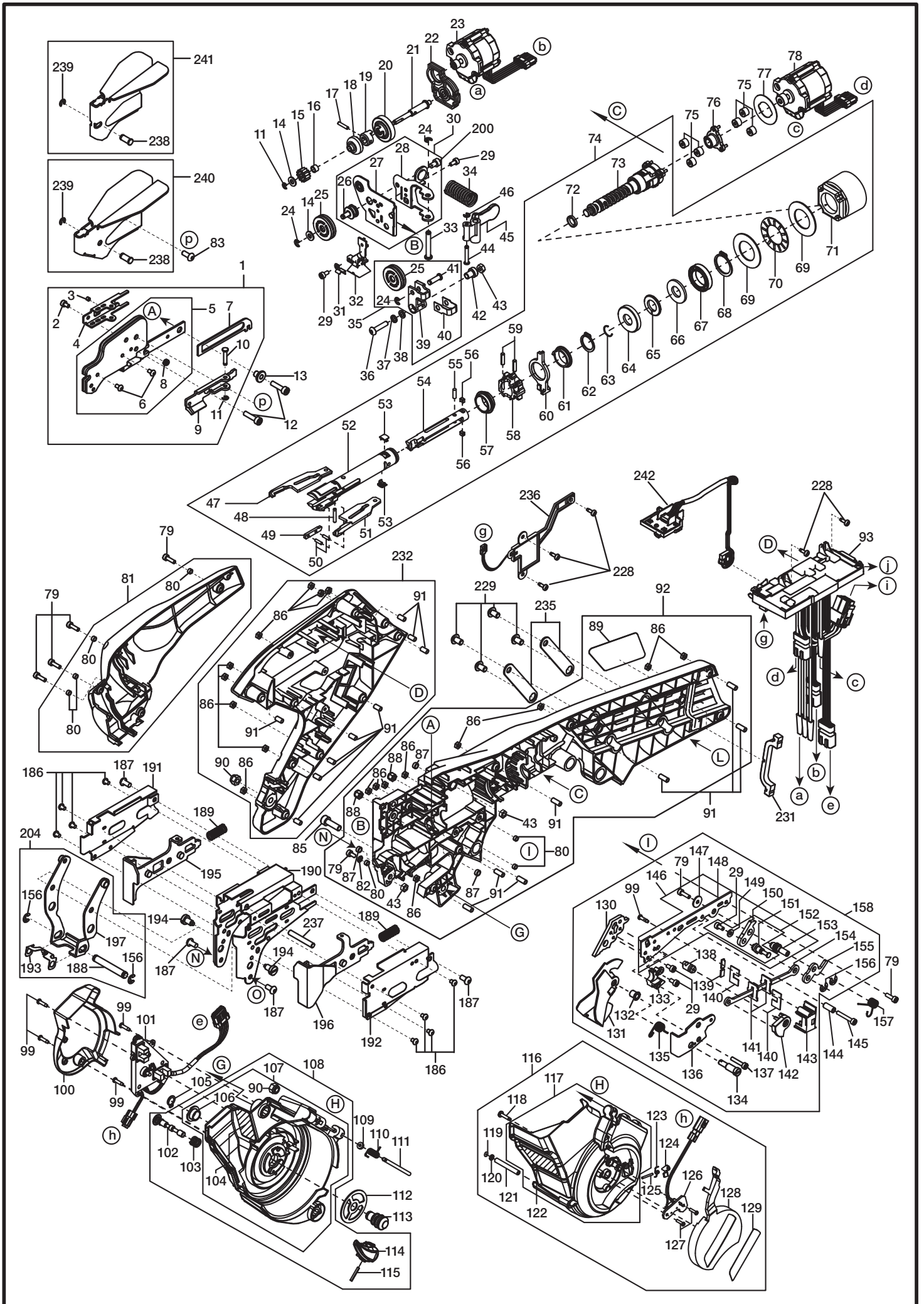
WARNING

BEFORE USING THIS TOOL, STUDY THIS MANUAL TO ENSURE SAFETY WARNING AND INSTRUCTIONS.

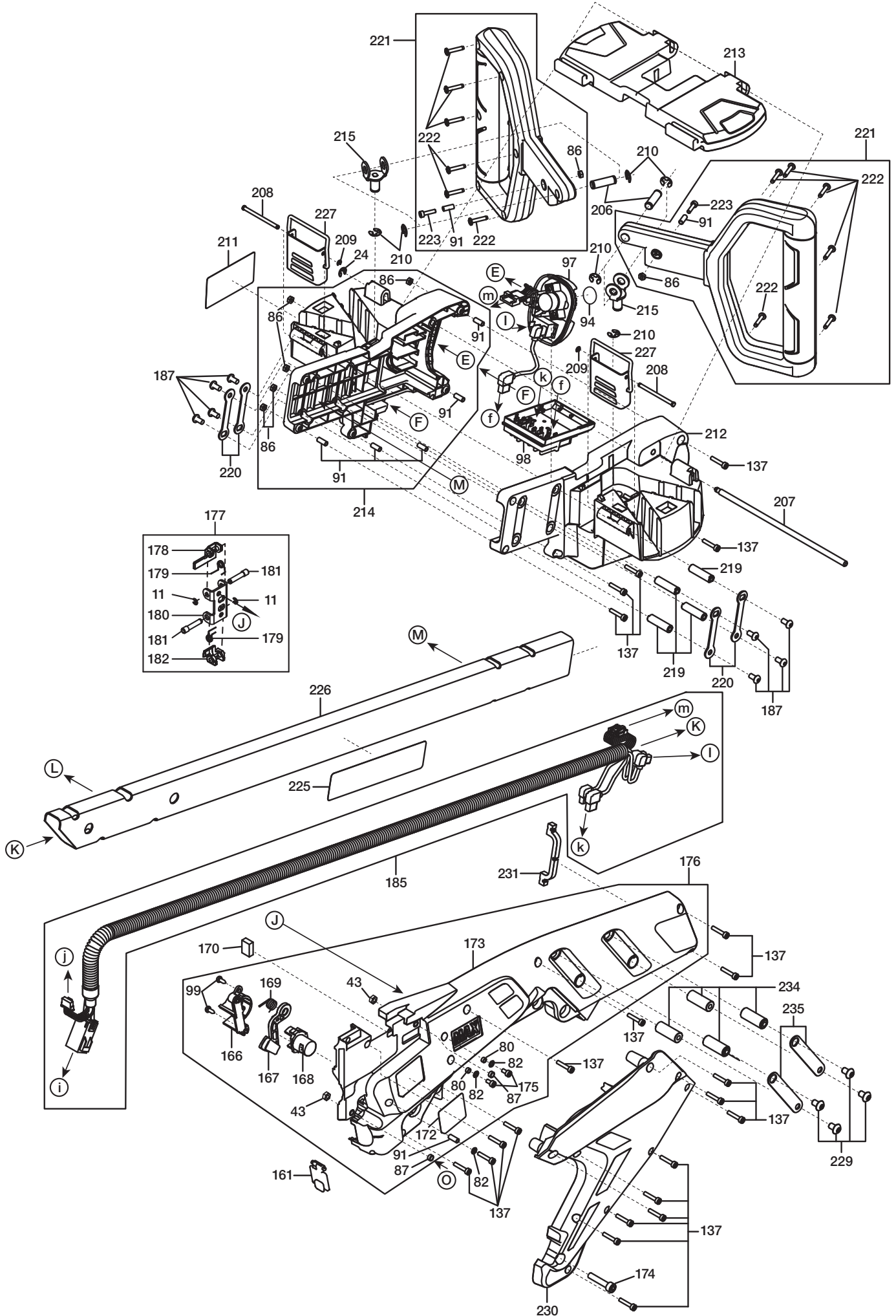
KEEP THESE INSTRUCTIONS WITH THE TOOL FOR FUTURE REFERENCE.

APRIL 2021

RB401T-E



RB401T-E




Item	PartCode	Description	Item	PartCode	Description
1	RB70859	ARM A ASSY	57	RB12612	SLEEVE GUIDE
2	BB40481	BOLT 3 x 5	58	RB12615	SLEEVE B
3	AA71408	SCREW 3 x 3	59	FF21234	W.S. PIN 3 x 12 CN65055
4	RB12633	WIRE GUIDE BASE	60	RB12617	CUTTER RING
5	RB70917	ARM A UNIT	61	RB12618	CUTTER RING GUIDE
6	BB41714	BOLT 3 x 5 SG	62	JJ21606	C-RING 15
7	RB12636	WIRE GUIDE LEVER	63	JJ80901	C-RING 11
8	KK29117	COMPRESSION SPRING 9117	64	RB12714	BUMPER GUIDE
9	RB70620	WIRE GUIDE UNIT	65	RB12619	BUMPER
10	FF41865	STEP PIN 1865	66	EE39859	WASHER 11.1 x 23.4 x 2
11	JJ10113	E-RING 2.5	67	LL11756	BEARING 6803ZZ
12	BB40420	BOLT 4 x 16	68	JJ21603	C-RING 20
13	FF52115	HOLLOW PIN 2115	69	EE39865	WASHER 20 x 35 x 1
14	EE39861	WASHER 4.3 x 9 x 1	70	LL41003	THRUST BEARING AXK1104
15	RB12865	FEEDING GEAR A	71	RB12620	INTERNAL GEAR
16	FF51715	HOLLOW PIN 1715	72	RB12720	D RING
17	FF31559	PIN 1559	73	RB70699	TIP AXIS A UNIT
18	RB12740	SHAFT COLLAR	74	RB70613	TWIST ASSY
19	RB12653	CLUTCH B	75	RB12622	PLANETARY GEAR
20	RB12651	CLUTCH A	76	RB70642	SUN GEAR UNIT
21	RB12652	FEEDING GEAR SHAFT A	77	RB12623	WASHER, TWIST AXIS
22	RB70700	FEEDING MOTOR BASE UNIT	78	RB70617	TWISTING MOTOR
23	RB70627	FEEDING MOTOR	79	BB40425	BOLT 3 x 10
24	JJ10514	E-RING 3 CF	80	FF51817	HOLLOW PIN 1817
25	RB70625	FEEDING GEAR B UNIT	81	RB70684	MOTOR COVER UNIT
26	RB12964	FEEDING GEAR SHAFT B	82	EE32104	WASHER 2-3
27	RB70881	FEEDING GEAR BASE UNIT	83	BB41302	BOLT 4 x 10 CF
28	RB12963	SPRING BASE	86	CC41104	HEX.NUT 1-3
29	BB40824	BOLT 3 x 6	87	FF51710	HOLLOW PIN 1710
31	RB12659	LEAF SPRING	88	CC49308	HEX. NUT M4
32	RB70667	WIRE GUIDE C UNIT	89	RB12959	SPECIFICATION LABEL
33	FF41867	STEP PIN 1867	90	CC49508	NUT M5
34	KK29119	COMPRESSION SPRING 9119	91	FF51714	HOLLOW PIN 1714
35	RB81343	RELEASE LEVER A ASSY	92	RB81360	FRAME L ASSY (401T)
36	BB41715	BOLT 4 x 18 C	93	RB81359	MAIN CIRCUIT BOARD UNIT (401T)
37	EE11103	SPRING WASHER 2-4	94	RB12687	LABEL
38	EE39825	WASHER 4.5 x 7.4 x 0.8	95	ZS00034	MAIN SWITCH (441)
39	RB12965	RELEASE LEVER A	97	RB70843	SWITCH BASE ASSY (401T)
40	RB12683	RELEASE LEVER A CAP	98	RB70697	ELECTRODE UNIT
41	FF41869	STEP PIN 1869	99	AA05952	SCREW 2.6 x 10
42	FF52120	HOLLOW PIN 2117	100	RB12674	MAGAZINE CAP
43	CC42512	HEX NUT 1A M4	101	RB70640	SENSOR CURCUIT BOARD F UNIT
44	FF41868	STEP PIN 1868	102	RB12673	MAGAZINE STOPPER SHAFT
45	RB12657	RELEASE LEVER B	103	KK24186	COMPRESSION SPRING 4186
46	JJ10510	RETAINING RING 2.3	104	RB12684	WIRE OPERATION LABEL
47	RB12609	HOOK L	105	JJ21601	C-RING 8
48	RB12853	CARBIDE PIN 2.5 x 14.8	106	FF52116	HOLLOW PIN 2116
49	RB12616	SLEEVE COVER	107	RB81296	MAGAZINE UNIT
50	FF21267	SPRING PIN 2 x 8	109	EE39609	RUBBER WASHER 1.8 x 6 x 2
51	RB12610	HOOK R	110	KK34098	TORSION SPRING 4098
52	RB12614	SLEEVE A	111	FF43419	STEP PIN 3419
53	RB12712	KEY	112	RB12715	MAGAZINE PLATE
54	RB12611	CENTER HOOK	113	RB12671	ROTARY SHAFT
55	FF31718	PARALELL PIN 1718	114	RB12672	MAGAZINE STOPPER
56	RB12713	KEY B	115	FF21629	SPRING PIN 2 x 14

Item	PartCode	Description	Item	PartCode	Description
116	RB81361	MAGAZINE COVER ASSY	178	RB12627	JAW B
117	RB81299	MAGAZINE COVER UNIT	179	KK33249	TORSION SPRING 3249
118	AA05560	SCREW 3 x 12 CF	180	RB12625	JAW BASE
119	HH14169	O-RING AS 568-003 1A	181	FF41864	STEP PIN 1864
120	EE39860	WASHER 5 x 2.6 x 1	182	RB12626	JAW A
121	FF51713	HOLLOW PIN 1713	184	BB40404	HEX. BOLT 5 x 16 N10016
122	RB12829	NOTICE LABEL	185	RB70879	HARNESS UNIT
123	KK34097	TORSION SPRING 4097	186	BB41716	BOLT 3 x 4
124	RB12669	REEL PRESS	187	BB41717	BOLT 4 x 8
125	FF31639	PARALLEL PIN 1639	188	FF31651	PARALELL PIN 1651
126	RB70641	SENSOR CURCUIT BOARD G UNIT	189	KK24198	COMPRESSION SPRING 4198
127	AA31724	SCREW 2 x 8	190	RB12919	COVER (401T)
128	RB12667	MAGAZINE COVER CAP	191	RB12929	CONTACT COVER L
129	RB12911	401T-E LABEL	192	RB12930	CONTACT COVER R
130	RB12639	CURL GUIDE B	193	RB12935	LINK SPRING
131	RB70864	CURL GUIDE A1 UNIT	194	RB12936	ROTATING PIN
132	FF52121	HOLLOW PIN 2121	195	RB70839	CONTACT SWITCH L ASSY
133	RB70666	WIRE GUDE B UNIT	196	RB70840	CONTACT SWITCH R ASSY
134	RB12915	CURL GUIDE SHAFT	197	RB70868	CURL GUIDE LINK UNIT
135	KK34102	TORSION SPRING 4102	200	BB40849	BOLT 4 x 6
136	RB12916	ARM C	204	RB81357	CURL GUDE LINK ASSY
137	BB40810	BOLT 3 x 16	206	FF31652	PARALELL PIN 1652
138	RB12894	FIXED CUTTER	207	FF31653	PARALELL PIN 1653
139	RB12723	CON-ROD GUIDE B	208	FF41878	STEP PIN 1878
140	RB12721	CON-ROD COVER	209	JJ10109	E-RING 2
141	RB12722	CON-ROD GUIDE A	210	JJ10512	E-RING 5
142	RB12643	CUTTER	211	RB12912	LABEL
143	RB12724	CON-ROD BASE	212	RB12946	HANDLE BASE R
144	FF51711	HOLLOW PIN 1711	213	RB12947	HANDLE BASE COVER
145	BB40717	BOLT 3 x 20 CF	214	RB70844	HANDLE BASE L UNIT
146	RB70682	ARM B UNIT	215	RB70895	HANDLE PIVOT UNIT
147	EE39857	WASHER 3.2 x 11 x 1	219	RB12949	HANDLE BASE SHAFT
148	RB12637	ARM B	220	RB12950	HANDLE BASE PLATE
149	EE39858	WASHER 3.2 x 7 x 1	221	RB81365	HANDLE ASSY
150	RB12645	CUTTER LEVER A	222	AA05589	SCREW 3 x 16
151	RB12648	CUTTER PIN	223	BB40715	BOLT 3 x 12
152	RB70683	CUTTER LEVER A UNIT	225	RB12910	PIPE LAVEL
153	RB12647	CUTTER SHAFT	226	RB12945	SQUARE PIPE
154	RB12649	CON-ROD	227	RB70900	LATCH UNIT
155	RB12646	CUTTER LEVER B	228	AA05572	SCREW 3 x 8
156	JJ10509	E-RING 4 CF	229	BB41408	BUTTON SCREW 5 x 8
157	KK33398	TORSION SPRING 3398	230	RB12900	MAGAZINE STAY R
158	RB70863	ARM B ASSY	231	RB12902	SEALING RUBBER
161	RB12815	WINDOW	232	RB70891	MAGAZINE STAY L
166	RB12665	RELEASE BUTTON BASE	233	BB41408	BUTTON SCREW 5 x 8
167	RB12664	RELEASE STOPPER	234	RB12905	BODY SHAFT
168	RB12662	RELEASE BUTTON	235	RB12906	BODY PLATE
169	KK33401	TORSION SPRING 3401	236	RB70850	SENSOR UNIT
170	RB12725	SPONGE	237	FF31723	PARALELL PIN 1723
172	RB12897	WARNING LABLE	238	FF41879	STEP PIN 1879
173	RB12661	BRAND PLATE	239	JJ10511	E-RING 3.2 CF
174	BB40708	BOLT 5 x 25	240	RB70845	ARM ATTACHMENT ASSY(LONG)
175	BB40716	BOLT 3 x 6 CF	241	RB70907	ARM ATTACHMENT ASSY(SHORT)
176	RB70848	FRAME R ASSY (401T)	242	RB70875	CONTACT SENSOR
177	RB70616	JAW BASE ASSY			

13.WARNING BUZZERS AND PROCEDURES TO FOLLOW

This tool sounds warning buzzers for the conditions described below. If the buzzer sounds, follow procedures according to the conditions described below.



WARNING

- If the conditions described below occur, set the Main switch (Fig.1.⑮) at "OFF" and remove the Battery pack (Fig.1.⑤) before following procedures.
- Do not touch the tying or rotating parts at the tip when setting the Main switch at "ON" under any circumstances.

<Buzzer types and procedures to follow>

Buzzer types	Possible cause	Procedures to follow
Once (Pi, pi, pi...)	Wire is jammed in the Hook (Fig.1.⑯)	Check whether the wire or anything else is caught in the Hook
	Motor is hot	Let the tool rest and cool down
	Main switch is set at "ON" with the Contact switch pressed.	Set the Main switch at "ON" without the Contact switch being pressed.
Twice (Pipi, pipi, pipi...)	Low battery	Charge the Battery pack
	Battery pack is not fully inserted	Insert the Battery pack properly
Three times (Pipipi, pipipi, pipipi...)	Tiewire is used up	Replace with a new Tiewire
	Tiewire is jammed	Open the Magazine cover (Fig.10.⑳) and fix the jammed wire
	Dust the sensor in Magazine.	Dust the sides of sensors and lenses with water or cotton bud gently.
Continuous high pitched beep (Piii...)	Tool is at an angle.	Tie with the tool facing directly downward.
Continuous high & low pitched chime (Pii poh Pii poh...)	Internal structure; defect in internal driving mechanism	Immediately discontinue operation and set the Main switch (Fig.22.⑮) at "OFF" and remove the Battery pack (Fig.22.⑤) before consulting. Then contact the dealer where the tool was purchased or MAX CO., LTD. authorized distributors.
Single-short beep (Popi)		

<When no buzzer sounds but malfunction is suspected>

Symptom	Possible cause	Procedures to follow
Main switch is "ON" but does not work	Dead battery	Switch to a new battery and confirm whether it works
The tool does not operate even if placed against the rebar and lowered.	The arm or curl guide is hitting an obstruction.	Use rebar within the applicable diameter.
		Change the Attachment to the short type.
Product does not function	Auto Power-off feature operated	Try switching the Main switch (Fig.1.⑮) from OFF to ON
Tying is not proper	Wire is touching rebars while tying	Tie so that wire is not touching rebars
Twisted off	Rebar size is not applicable	Use with supported rebars diameters
	Tension adjustment dial is too tight	Adjust Torque dial (Fig.1.⑬)
Tension is too loose	Rebar size is not applicable	Use with supported rebar diameters
	Tension adjustment dial is too loose	Adjust Torque dial tighter (Fig.1.⑬)
Tie form is notably deformed	Worn or broken parts	Immediately discontinue operation and set the Main switch (Fig.22.⑮) at "OFF" and remove the Battery pack (Fig.22.⑤) before consulting. Then contact the dealer where the tool was purchased or MAX CO., LTD. authorized distributors.
Increased frequency of jamming		
LED blinks	Tool is at an angle	The LED blinks when the tool is not facing downward while in standby, but this is not an error. Face the tool downward when performing actual tying.